



High Performance

Radiators, Oil Coolers & Accessories

www.FLUIDYNE®.com



Using the Catalog . . .

This catalog is divided into two sections, Direct-Fit Radiators, and Universal parts such as Racing Radiators, Oil Coolers, and Electric fans. To determine which Direct-Fit Radiator you need, simply find the make, model and year of your car on pages 4 through 6, and you will find the correct part number listed for your application. The sizes and configurations of the Direct-Fit Radiators are listed on pages 7 through 12 along with a picture of the radiator. In addition, the Technical Specifications and Illustrations section on pages 7 through 12 has special notes which pertain to the specific radiator. These notes will tell you if there is anything specific that you need to know prior to ordering the radiator. In looking at the sizes shown for the radiators, the diagram at the bottom of page 6 will show how the measurements are taken, and what the abbreviations mean. The Racing Radiators, Oil Coolers, and Electric Fans are not designed for a specific car, but are adaptable to many different applications.

Table of Contents

Direct Fit Radiators	
Applications	4
Technical Specification and Illustrations.....	7
Universal/Racing Radiators.....	13
Supercharger Cooler-Coolers.....	14
Universal Electric Fans	15
Dwarf/Legends Cars	16
Racing Oil Coolers	16
Miscellaneous Oil Coolers	18
Shrouded Oil Coolers	19



FLUIDYNE® All-Aluminum Direct-Fit Radiators are manufactured using a high efficiency furnace brazed core, with no epoxy. All tanks and fittings are TIG/MIG welded for maximum strength and durability. The quality of this type of construction, coupled with the true Direct-Fit fitment, makes FLUIDYNE® the number one choice for car builders the world over.

At FLUIDYNE®, Direct-Fit is not just a slogan, it is our benchmark. If you do not find your application listed here, please check on page 13 for Universal Radiators, or on pages 7 through 12 where we list the sizes of all FLUIDYNE® Direct-Fit radiators.

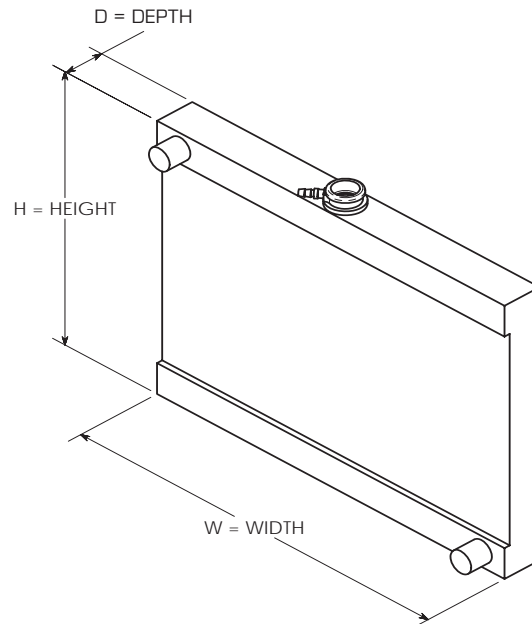
Application	Part Number	Core Design
Acura		
90-93 Acura Integra Radiator M/T	FHP11-90INT	Single row 38MM
94-00 Acura Integra Radiator M/T	FHP11-94INT	Single row 38MM
97 Acura CL Series M/T	FHP11-94ACC	Single row 38MM
BMW		
92-99 BMW E36 radiator M/T	FHP11-92E36	Single row 38MM
99 323 series M/T	FHP11-92E36	Single row 38MM
92-96 325 series M/T	FHP11-92E36	Single row 38MM
96-98 328 series M/T	FHP11-92E36	Single row 38MM
96-02 M Series M/T	FHP11-92E36	Single row 38MM
97-02 Z3 except with 1.9L engine M/T	FHP11-92E36	Single row 38MM
Chevrolet		
55-56 Passenger car 6 cylinder M/T	FHP20-5556-6	2-row 1 inch tubes
55-56 Passenger car 6 cylinder A/T	FHP20A-5556-6	2-row 1 inch tubes
57 Passenger car 6 cylinder M/T	FHP20-5700-6	2-row 1 inch tubes
57 Passenger car 6 cylinder A/T	FHP2A-5700-6	2-row 1 inch tubes
55-57 Passenger car 8 cyl M/T	FHP20-5557-8	2-row 1 inch tubes
55-57 Passenger car 8 cyl A/T	FHP20A-5557-8	2-row 1 inch tubes
67-69 Camaro M/T	FHP30-67CAM	3-row 1 inch tubes
Chrysler		
95-00 Sebring 4 cyl M/T	FHP11-95MIT-NT	Single row 38MM
Dodge		
97-98 Viper	FHP30-98VI	3-row 1 inch tubes
<i>Can be adapted to later models with some fan modifications</i>		
Eagle		
90-94 Talon M/T	FHP11-90MIT	Single row 38MM
95-98 Talon OEM Turbo M/T	FHP11-95MIT	Single row 38MM
95-98 Talon OEM non turbo M/T	FHP11-95MIT-NT	Single row 38MM

Application	Part Number	Core Design
Ford		
60-65 Falcon M/T	FHP30-64MU	3-row 1 inch tubes
60-65 Falcon A/T	FHP30A-64MU	3-row 1 inch tubes
64-66 Mustang M/T	FHP30-64MU	3-row 1 inch tubes
64-66 Mustang A/T	FHP30A-64MU	3-row 1 inch tubes
64-66 Mustang/Falcon with 5.0 engine <i>conversion and M/T</i>	FHP30-64MU5.0	3-row 1 inch tubes
79-93 Mustang M/T	FHP20-93MU	2-row 1 inch tubes
79-93 Mustang A/T	FHP20A-93MU	2-row 1 inch tubes
94-95 Mustang M/T	FHP20-95MU	2-row 1 inch tubes
94-95 Mustang A/T	FHP20A-95MU	2-row 1 inch tubes
96 Mustang M/T	FHP20-96MU	2-row 1 inch tubes
96 Mustang A/T	FHP20A-96MU	2-row 1 inch tubes
97-04 Mustang M/T	FHP20-97MU	2-row 1 inch tubes
97-04 Mustang A/T	FHP20A-97MU	2-row 1 inch tubes
05-07 Mustang	FHP20-05MU	2-row 1 inch tubes
80-88 Thunderbird M/T	FHP20-93MU	2-row 1 inch tubes
80-88 Thunderbird A/T	FHP20A-93MU	2-row 1 inch tubes
83-86 LTD (not LTDII) M/T	FHP20-93MU	2-row 1 inch tubes
83-86 LTD (not LTDII) A/T	FHP20A-93MU	2-row 1 inch tubes
80-83 Fairmont and Futura M/T	FHP20-93MU	2-row 1 inch tubes
80-83 Fairmont and Futura A/T	FHP20A-93MU	2-row 1 inch tubes
06-07 Ford F150	FHP20-F150	2-row 1 inch tubes
Honda		
94-97 Accord M/T	FHP11-94ACC	Single row 38MM
88-91 CRX M/T	FHP11-88CRX	Single row 38MM
88-91 CRX (Half size-14 inch width) M/T	FHP11-88CRX.5	Single row 38MM
92-00 Civic M/T	FHP11-92CIV	Single row 38MM
97-99 Prelude M/T	FHP11-94ACC	Single row 38MM
Mazda		
93-95 RX7 M/T	FHP11-93RX7	Single row 38MM
Mercury		
80-86 Capri M/T	FHP20-93MU	2-row 1 inch tubes
80-86 Capri A/T	FHP20A-93MU	2-row 1 inch tubes
80-88 Cougar M/T	FHP20-93MU	2-row 1 inch tubes
80-88 Cougar A/T	FHP20A-93MU	2-row 1 inch tubes
83-86 Marquis M/T	FHP20-93MU	2-row 1 inch tubes
83-86 Marquis A/T	FHP20A-93MU	2-row 1 inch tubes
80-83 Zephyr M/T	FHP20-93MU	2-row 1 inch tubes
80-83 Zephyr A/T	FHP20A-93MU	2-row 1 inch tubes

Application	Part Number	Core Design
Mitsubishi		
90-94 Eclipse M/T	FHP11-90MIT	Single row 38MM
95-99 Eclipse OEM Turbo M/T	FHP11-95MIT	Single row 38MM
95-99 Eclipse OEM non-turbo M/T	FHP11-95MIT-NT	Single row 38MM
02-06 EV07 & EV08	FHP11-04MITEVO	Single row 38MM
Pantera		
All DeTomaso Panteras	FHP30-PAN	3-row 1 inch tubes
Pontiac		
67-69 Firebird M/T	FHP30-67CAM	3-row 1 inch tubes
Shelby Cobra		
Original AC Cobra style	FHP30-SHELBY	3-row 1 inch tubes
Toyota		
86-92 Supra M/T	FHP11-86SUP	Single row 38MM
93-98 Supra M/T	FHP11-93SUP	Single row 38MM

Radiator Measurements

This diagram shows how the radiator measurements are listed. The D for depth is shown in the listings as both the depth of the core and also the overall depth as measured at the tanks.



Technical Specifications and Illustrations

ACURA

BMW

CHEVROLET/FIREBIRD



Part Number: FHP11-90INT
Core Size: 27.063W x 13.0H x 1.5D
Core Style: 1-row with 1.5 inch tubes
Overall Size: 27.25W x 17.13H x 2.0D

Applications:
 90-93 Acura Integra

Special Notes: No mounts provided for Driver's side fan - stock fan is too thick. Use FHP34109 universal 9 inch fan with universal mounting strap kit. Re-use original passengerside fan. No A/T cooler.



Part Number: FHP11-94INT
Core Size: 26.25W x 12.75H x 1.5D
Core Style: 1-row with 1.5 inch tubes
Overall Size: 26.43W x 17.25H x 2.0D

Applications:
 90-94 Acura Integra

Special Notes: No mounts provided for Driver's side fan - stock fan is too thick. Use FHP34109 universal 9 inch fan with universal mounting strap kit. Re-use original passengerside fan. No A/T cooler.



Part Number: FHP11-92E36
Core Size: 21.5W x 17.5H x 1.5D
Core Style: 1-row with 1.5 inch tubes
Overall Size: 26.37W x 17.6H x 2.0D

Applications:
 92-99 BMW E36
 Many various models

Special Notes: Fits 318, 323, 325, 328, M3, and Z3 models in years shown. No A/T cooler.



Part Number: FHP20-5556-6
Core Size: 21.625W x 16.0H x 3.15D
Core Style: 2-row with 1 inch tubes
Overall Size: 23.313W x 23.325H x 3.5D

A/T version shown - M/T version has no transmission cooler.

Applications:
 55-56 Chevy
 Passenger Cars

Special Notes: 6 cylinder mounting style, which places the radiator in front of the core support. Must be used with a 6 cylinder style core support. Will not fit original V-8 core support. No A/T cooler.



Part Number: FHP20A-5556-6
Core Size: 21.625W x 16.0H x 3.15D
Core Style: 2-row with 1 inch tubes
Overall Size: 23.313W x 23.325H x 3.5D

Applications:
 55-56 Chevy
 Passenger Cars

Special Notes: 6 cylinder mounting style, which places the radiator in front of the core support. Must be used with a 6 cylinder style core support. Will not fit original V-8 core support.



Part Number: FHP20-5700-6
Core Size: 21.0W x 18.313H x 3.15D
Core Style: 2-row with 1 inch tubes
Overall Size: 26.0W x 18.49H x 3.5D

A/T version shown - M/T version has no transmission cooler.

Applications:
 57 Chevy
 Passenger Cars

Special Notes: 6 cylinder mounting style, which places the radiator in front of the core support. Must be used with a 6 cylinder style core support. Will not fit original V-8 core support. No A/T cooler.

Technical Specifications and Illustrations

CHEVROLET



Part Number: FHP20A-5700-6
Core Size: 21.625W x 16.0H x 3.15D
Core Style: 2-row with 1 inch tubes
Overall Size: 23.313W x 23.325H x 3.5D

Applications:
 57 Chevy
 Passenger Cars

Special Notes: 6 cylinder mounting style, which places the radiator in front of the core support. Must be used with a 6 cylinder style core support. Will not fit original V-8 core support.



Part Number: FHP20-5557-8
Core Size: 21.625W x 16.0H x 3.15D
Core Style: 2-row with 1 inch tubes
Overall Size: 23.313W x 23.325H x 3.5D

A/T version shown - M/T version has no transmission cooler.

Applications:
 55-57 Chevy
 Passenger Cars

Special Notes: 8 cylinder mounting style, which places the radiator behind the core support. Must be used with a V-8 style core support. Will not fit original 6 cylinder core support. No A/T cooler.



Part Number: FHP20A-5557-8
Core Size: 21.625W x 16.0H x 3.15D
Core Style: 2-row with 1 inch tubes
Overall Size: 23.313W x 23.325H x 3.5D

Applications:
 55-57 Chevy
 Passenger Cars

Special Notes: 8 cylinder mounting style, which places the radiator behind the core support. Must be used with a V-8 style core support. Will not fit original 6 cylinder core support.



Part Number: FHP30-67CAM
Core Size: 21.0W x 18.313H x 3.15D
Core Style: 3-row with 1 inch tubes
Overall Size: 26.0W x 18.49H x 3.5D

Applications:
 67-69 Camaro
 67-69 Firebird

Special Notes: Direct-fit radiator for Camaro and Firebird with manual transmission. Will work on some Novas and Chevelles with minor modifications. Direct-fit only for Camaro and Firebird. No A/T cooler.

CHRYSLER



Part Number: FHP30-98VI
Core Size: 25.0W x 17.44H x 3.15D
Core Style: 3-row with 1 inch tubes
Overall Size: 29.5W x 15.118H x 3.5D

Applications:
 97-98 Dodge Viper

Special Notes: Direct fit for 97-98 Viper - will fit other years with minor modifications.

FORD



Part Number: FHP30-64MU
Core Size: 17.44W x 16.25H x 3.15D
Core Style: 3-row with 1 inch tubes
Overall Size: 17.54W x 20.29H x 3.5D

Applications:
 64-66 Mustand M/T
 60-65 Ford Falcon
 60-65 Merc. Comet

Special Notes: Direct-fit for applications listed. No A/T cooler.

Technical Specifications and Illustrations



Part Number: FHP30A-64MU
Core Size: 17.44W x 16.25H x 3.15D
Core Style: 3-row with 1 inch tubes
Overall Size: 17.54W x 20.29H x 3.5D

Applications:
 64-66 Mustang A/T
 60-65 Ford Falcon
 60-65 Merc Comet

Special Notes: Direct-fit for applications listed with automatic transmission.

Manual transmission version is pictured. Automatic transmission is identical, but has transmission cooler in original location.



Part Number: FHP30-64MU5.0
Core Size: 17.44W x 16.25H x 3.15D
Core Style: 3-row with 1 inch tubes
Overall Size: 17.54W x 20.29H x 3.5D

Applications:
 64-66 Mustang
 60-65 Ford Falcon
 60-65 Merc Comet

Special Notes: Conversion radiator for applications listed which have had a 5.0 engine conversion. This is the same radiator as FHP30-64MU, but the lower radiator hose has been moved to the driver's side. No A/T cooler.



Part Number: FHP20-93MU
Core Size: 25.0W x 17.0H x 2.09D
Core Style: 2-row with 1 inch tubes
Overall Size: 29.94W x 17.243H x 2.4D

Applications:
 79-93 Mustang, 80-86 Ford LTD
 80-88 Ford T-Bird, 81-82 Ford Granada
 80-83 Ford Fairmont, 84-92 Lincoln Mark
 82-87 Continental, 80-86 Merc Capri
 80-88 Merc Cougar, 83-86 Merc Marquis
 80-83 Merc Zephyr

Special Notes: No A/T cooler - A/T cars use FHP20A-93MU. Also fits some aftermarket Shelby Cobra style kit cars.



Part Number: FHP20A-93MU
Core Size: 25.0W x 17.0H x 2.09D
Core Style: 2-row with 1 inch tubes
Overall Size: 29.94W x 17.243H x 2.4D

Applications:
 79-93 Mustang, 80-86 Ford LTD
 80-88 Ford T-Bird, 81-82 Ford Granada
 80-83 Ford Fairmont, 84-92 Lincoln Mark
 82-87 Continental, 80-86 Merc Capri
 80-88 Merc Cougar, 83-86 Merc Marquis
 80-83 Merc Zephyr

Special Notes: Fits automatic transmission vehicles.

Manual transmission version is pictured. Automatic transmission is identical, but has transmission cooler in original location.



Part Number: FHP20-95MU
Core Size: 24.5W x 17.06H x 2.09D
Core Style: 2-row with 1 inch tubes
Overall Size: 30.5W x 17.27H x 2.4D

Applications:
 94-95 Mustang M/T

Special Notes: No A/T cooler - A/T cars use FHP20A-95MU.

Automatic transmission version is pictured. Manual transmission is identical, but does not have transmission cooler.



Part Number: FHP20A-95MU
Core Size: 24.5W x 17.06H x 2.09D
Core Style: 2-row with 1 inch tubes
Overall Size: 30.5W x 17.27H x 2.4D

Applications:
 94-95 Mustang A/T

Special Notes: Fits automatic transmission vehicles.

Technical Specifications and Illustrations

FORD



Part Number: FHP20-96MU
Core Size: 24.0W x 15.813H x 2.09D
Core Style: 2-row with 1 inch tubes
Overall Size: 29.25W x 16.0H x 2.4D

Applications:
 96 Mustang M/T

Special Notes: No A/T cooler - A/T cars use FHP20A-96MU.

Automatic transmission version is pictured. Manual transmission is identical, but does not have transmission cooler.



Part Number: FHP20A-96MU
Core Size: 24.0W x 15.813H x 2.09D
Core Style: 2-row with 1 inch tubes
Overall Size: 29.25W x 16.0H x 2.4D

Applications:
 96 Mustang A/T

Special Notes: Fits automatic transmission cars.



Part Number: FHP20-97MU
Core Size: 24.0W x 15.813H x 2.09D
Core Style: 2-row with 1 inch tubes
Overall Size: 29.25W x 16.0H x 2.4D

Applications:
 97-04 Mustang M/T

Special Notes: No A/T cooler - A/T cars use FHP20A-97MU.

Automatic transmission version is pictured. Manual transmission is identical, but does not have transmission cooler.



Part Number: FHP20A-97MU
Core Size: 24.0W x 15.813H x 2.09D
Core Style: 2-row with 1 inch tubes
Overall Size: 29.25W x 16.0H x 2.4D

Applications:
 97-04 Mustang A/T

Special Notes: Fits automatic transmission cars.



Part Number: FHP20-05MU
Core Size: 24.0W x 19.6H x 2.09D
Core Style: 2-row with 1 inch tubes
Overall Size: 28.25W x 20.75H x 2.4D

Applications:
 05-07 Mustang

Special Notes: Fits all 2005-2007 Mustangs.



Part Number: FHP20-F150
Core Size: 31.75W x 17.0H x 2.09D
Core Style: 2-row with 1 inch tubes
Overall Size: 38.0W x 17.25H x 2.5D

Applications:
 06-07 Ford F150

Special Notes: Includes in-tank A/T Cooler.

Technical Specifications and Illustrations



Part Number: FHP11-94ACC
Core Size: 28.94W x 15.0H x 1.5D
Core Style: 1-row with 1.5 inch tubes
Overall Size: 29.13W x 19.94H x 2.0D

Applications:
94-97 Accord
97-99 Prelude

Special Notes: Includes universal 11 inch fan attached to passenger side. Re-use original driver's side fan. No A/T cooler.



Part Number: FHP11-88CRX
Core Size: 26.25W x 12.75H x 1.5D
Core Style: 1-row with 1.5 inch tubes
Overall Size: 26.43W x 17.0H x 2.0D

Applications:
88-91 Honda CRX and Civic

Special Notes: Full width OEM fit radiator. No A/T cooler.



Part Number: FHP11-88CRX.5
Core Size: 14.06W x 13.75H x 1.5D
Core Style: 1-row with 1.5 inch tubes
Overall Size: 14.243W x 16.75H x 2.0D

Applications:
88-91 Honda Civic and CRX 14-inch half-size wide, half-size radiator

Special Notes: Half-width radiator for models listed which have had equipment added on such as turbos which would interfere with the stock full-width radiator. This is half as wide as the stock radiator, but will bolt in with slight bracket modifications and relocation. No A/T cooler.



Part Number: FHP11-92CIV
Core Size: 14.06W x 13.75H x 1.5D
Core Style: 1-row with 1.5 inch tubes
Overall Size: 14.243W x 16.75H x 2.0D

Applications:
92-00 Honda Civic and Del Sol

Special Notes: 14 inch wide, OEM fit radiator. No A/T cooler.



Part Number: FHP11-93RX7
Core Size: 24.0W x 12.25H x 1.5D
Core Style: 1-row with 1.5 inch tubes
Overall Size: 24.18W x 16.3H x 2.0D

Applications:
93-95 Mazda RX7

Special Notes: Fits turbo and non-turbo models. No A/T cooler.



Part Number: FHP11-04MITEVO
Core Size: 27.83W x 15.0H x 1.5D
Core Style: 1-row with 1.5 inch tubes
Overall Size: 28.01W x 18.0H x 2.0D

Applications:
02 Mitsubishi EVO-7
03-06 EVO-8

Special Notes: Fits Mitsubishi EVO-7 and EVO-8. No A/T cooler.

HONDA

MAZDA

MITSUBISHI

Technical Specifications and Illustrations

MITSUBISHI



Part Number: FHP11-90MIT
Core Size: 27.063W x 13.25H x 1.5D
Core Style: 1-row with 1.5 inch tubes
Overall Size: 27.243W x 17.247H x 2.0D

Applications:
 90-94 Mitsubishi
 Eclipse

Special Notes: Fits all 1.8L and 2.0L models.
 No A/T cooler.



Part Number: FHP11-95MIT
Core Size: 27.063W x 13.25H x 1.5D
Core Style: 1-row with 1.5 inch tubes
Overall Size: 27.125W x 17.25H x 2.0D

Applications:
 95-99 Mitsubishi
 Eclipse and Eagle
 Talon with OEM
 Turbocharger

Special Notes: Fits cars with OEM turbocharger.
 Same basic radiator as FHP11-95MIT-NT, except
 has upper hose in center and lower hose on
 passenger side. No A/T cooler.

FHP-95MIT-NT radiator is pictured. See special notes.



Part Number: FHP11-95MIT-NT
Core Size: 27.063W x 13.25H x 1.5D
Core Style: 1-row with 1.5 inch tubes
Overall Size: 27.125W x 17.25H x 2.0D

Applications:
 95-99 Mitsubishi
 Eclipse and Eagle
 Talon without OEM
 Turbocharger

Special Notes: Fits cars without OEM
 turbocharger. Same basic radiator as
 FHP11-95MIT, but upper hose is on passenger
 side, and lower hose is on driver's side.
 No A/T cooler.

PANTERA



Part Number: FHP30-PAN
Core Size: 25.0W x 14.938H x 3.15D
Core Style: 3-row with 1 inch tubes
Overall Size: 29.5W x 15.118H x 3.5D

Applications:
 De Tomaso Pantera
 All Years

Special Notes: Direct-fit replacement for
 De Tomaso Panteras, with all sensor ports
 included.

SHELBY



Part Number: FHP30-SHELBY
Core Size: 19.5W x 17.5H x 3.15D
Core Style: 3-row with 1 inch tubes
Overall Size: 23.65W x 18.0H x 3.5D

Applications:
 OEM style to fit
 original style
 Shelby AC Cobra

Special Notes: Duplicate of original style
 Shelby Cobra sports car. Will work in some kit
 cars if they are designed to use original style
 radiator.

TOYOTA



Part Number: FHP11-86SUP
Core Size: 24.0W x 12.25H x 1.5D
Core Style: 1-row with 1.5 inch tubes
Overall Size: 24.18W x 16.0H x 2.0D

Applications:
 89-92 Toyota Supra
 with or without
 OEM turbo

Special Notes: Fits turbo and non-turbo
 applications. No A/T cooler.



Part Number: FHP11-93SUP
Core Size: 25.5W x 13.75H x 1.5D
Core Style: 1-row with 1.5 inch tubes
Overall Size: 25.68W x 17.875H x 2.0D

Applications:
 93-98 Toyota Supra
 with or without
 OEM turbo

Special Notes: Fits turbo and non-turbo
 applications. No A/T cooler.

UNIVERSAL/RACING RADIATORS



These Universal radiators can be adapted to many different applications for which a Direct-Fit Radiator is unavailable, and are especially suited to Late Model Stock Car Racing applications. They are available in all of the sizes listed below, and with the hose locations suitable for either Chevy or Ford style configurations. These Universal radiators are all manufactured with high efficiency all aluminum furnace brazed cores, with TIG welded tanks.



Chevy Configuration

Part Number	Core Size	Overall Size	Core Style
-------------	-----------	--------------	------------

CHEVY CONFIGURATION - Single Pass

FHP20-34320C-22	17W X 19T X 2.25D	22W X 19T X 2.50D	2-row 1 inch tubes
FHP20-34320C-24	19W X 19T X 2.25D	24W X 19T X 2.50D	2-row 1 inch tubes
FHP20-34320C-26	21W X 19T X 2.25D	26W X 19T X 2.50D	2-row 1 inch tubes
FHP20-34320C-28	23W X 19T X 2.25D	28W X 19T X 2.50D	2-row 1 inch tubes
FHP20-34320C-31	26W X 19T X 2.25D	31W X 19T X 2.50D	2-row 1 inch tubes



Ford Configuration

Part Number	Core Size	Overall Size	Core Style
-------------	-----------	--------------	------------

FORD CONFIGURATION - Single Pass

FHP20-34320F-22	17W X 19T X 2.25D	22W X 19T X 2.50D	2-row 1 inch tubes
FHP20-34320F-24	19W X 19T X 2.25D	24W X 19T X 2.50D	2-row 1 inch tubes
FHP20-34320F-26	21W X 19T X 2.25D	26W X 19T X 2.50D	2-row 1 inch tubes
FHP20-34320F-28	23W X 19T X 2.25D	28W X 19T X 2.50D	2-row 1 inch tubes
FHP20-34320F-31	26W X 19T X 2.25D	31W X 19T X 2.50D	2-row 1 inch tubes



Chevy Configuration

Part Number	Core Size	Overall Size	Core Style
-------------	-----------	--------------	------------

CHEVY CONFIGURATION - 2-Pass

FHP20-34322C-22	17W X 19T X 2.25D	22W X 19T X 2.50D	2-row 1 inch tubes
FHP20-34322C-24	19W X 19T X 2.25D	24W X 19T X 2.50D	2-row 1 inch tubes
FHP20-34322C-26	21W X 19T X 2.25D	26W X 19T X 2.50D	2-row 1 inch tubes
FHP20-34322C-28	23W X 19T X 2.25D	28W X 19T X 2.50D	2-row 1 inch tubes
FHP20-34322C-31	26W X 19T X 2.25D	31W X 19T X 2.50D	2-row 1 inch tubes



Ford Configuration

Part Number	Core Size	Overall Size	Core Style
-------------	-----------	--------------	------------

FORD CONFIGURATION - 2-Pass

FHP20-34322F-22	17W X 19T X 2.25D	22W X 19T X 2.50D	2-row 1 inch tubes
FHP20-34322F-24	19W X 19T X 2.25D	24W X 19T X 2.50D	2-row 1 inch tubes
FHP20-34322F-26	21W X 19T X 2.25D	26W X 19T X 2.50D	2-row 1 inch tubes
FHP20-34322F-28	23W X 19T X 2.25D	28W X 19T X 2.50D	2-row 1 inch tubes
FHP20-34322F-31	26W X 19T X 2.25D	31W X 19T X 2.50D	2-row 1 inch tubes

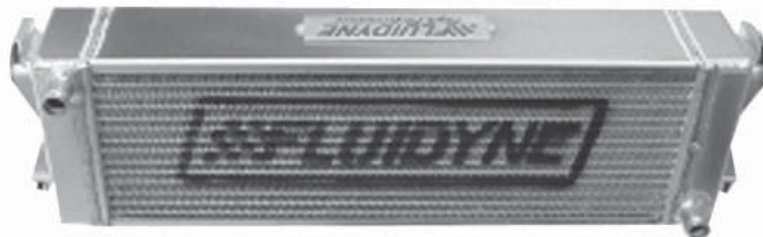
Supercharger Cooler-Coolers

The cooler the intake air charge is, the more power your supercharged Ford Lightning/Harley Pickup or '03-'04 Mustang Cobra will produce. FLUIDYNE®'s High Performance Supercharger Cooler-Coolers for these applications will help to keep the temperatures down and the power up. FLUIDYNE® cooler-coolers have the same features as found in FLUIDYNE®'s High Performance and Racing radiators, such as all-aluminum construction with a CAB-brazed core (no epoxy) for outstanding durability. The design elements of these cooler-coolers, such as the fin design and configuration are the same as used in FLUIDYNE® radiators which are used by many of the top race teams in many different series such as NASCAR, IROC, and NHRA drag racing. These are Direct-Fit replacements which utilize the stock brackets for simple bolt-on installation.



Part Number: FHP30-LIGHTNING
Core Size: 20.5W x 7.88H x 3.15D
Core Style: 3-row with 1 inch tubes
Overall Size: 25.5W x 8.1H x 3.5D

Special Notes: Direct Fit bolt in replacement for original Lightning/Harley truck supercharger cooler.



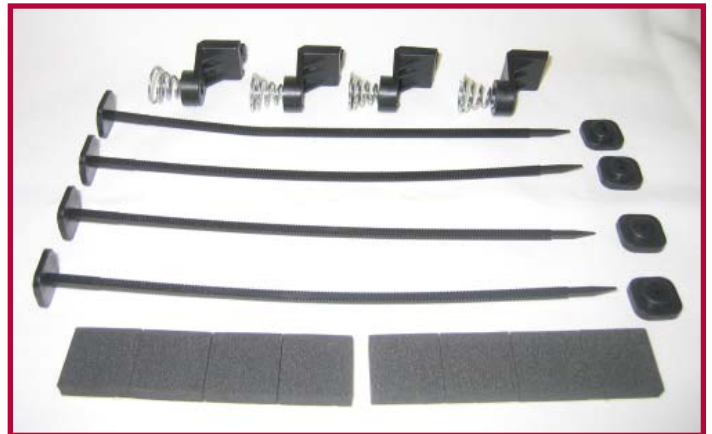
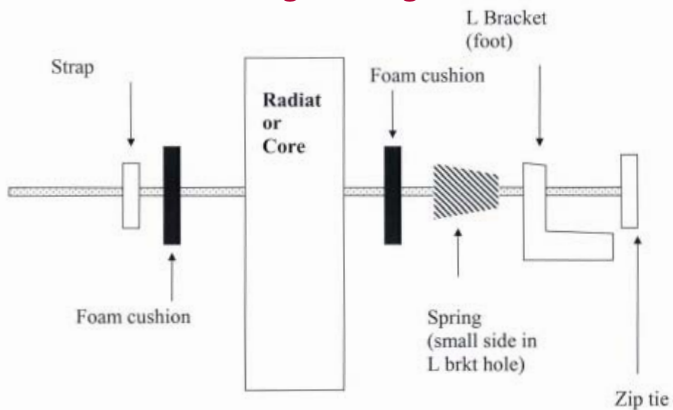
Part Number: FHP30-03COB-HX
Core Size: 18.0W x 6.19H x 3.15D
Core Style: 3-row with 1 tubes
Overall Size: 21.62W x 6.45H x 3.5D
(Not including brackets or hose fittings)

Special Notes: Direct Fit bolt in using original brackets. 5 inches shorter than original cooler to allow the use of 3-row core while maintaining use of stock brackets. 5 inch coolant hose extension required.



Part Number	Diameter	Overall Thickness (Inches)	Style	CFM Rating at Zero Inches Static Pressure	Current Size at Zero Inches
FHP34107	7 inch	2.05	12V Puller	440	5.0 Amps
FHP34109	9 inch	3.22	12V Puller	679	5.5 Amps
FHP34111	11 inch	3.19	12V Puller	1075	7.3 Amps
FHP34211	11 inch	3.19	12V Pusher	1050	7.5 Amps
FHP34114	14 inch	3.60	12V Puller	1621	9.3 Amps
FHP34116	16 inch	3.64	12V Puller	2197	11.2 Amps
FHP34105 - Universal Fan Mounting Kit					

FHP34105 Mounting Kit Diagram



Fan Mounting Kit - FHP34105

Single Row 38MM



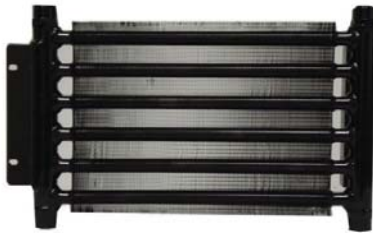
FRR34311-DWF

Dwarf/Legends cars

Description: Single row 38MM all aluminum radiator

Overall Dimensions: 13" X 17.25" with
1" slip-on hose connections

Core Size = 13W x 14H x 1.59D



Legends Car Oil Cooler

*Designed specifically for Legends/ Dwarf Cars
using motorcycle engines*

	Description	Size (Inches)	Oil Capacity (quarts)	Dry Weight (lbs)	Fittings
DB-30316	Legends/Dwarf Engine Oil Cooler	16 x 10.5 x 1	.4	2.5	(4) 1/2" FNPT

Note: Oil Cooler dimensions do not include 1.5" brackets

RACING OIL COOLERS

- Most models available in Single-pass and two-pass configurations
- CAB-brazed construction (no epoxy)
- Includes extruded oval tubes and patented lanced offset oil flow turbulators to create the most efficient coolers "pound for pound" on the market today
- Suitable for use as engine oil or transmission coolers
- Used by many top NASCAR® race teams

Trans/Rear End Coolers



Part Number: DB-30216

Size (Inches): 14.75 x 3 x 3

Dry Weight (Lb): 4

Fittings: 1/2" FNPT

Oil Capacity (Qts): .53



Late Model 400

Part Number: DB-30416
Description: Late Model 400
Size (Inches): 14.75 x 6.25 x 2.75

Fittings: (2) AN-12 & (2) 1/2" NPT
Oil Capacity (Qts): 1.15
Dry Weight (Lb): 6.5

Part Number: DB-30417
Description: 2-Pass
Size (Inches): 14.75 x 6.25 x 2.75

Fittings: (2) AN-12 & (1) 1/2" NPT
Oil Capacity (Qts): 1.15
Dry Weight (Lb): 6.5



All Pro 600

Part Number: DB-30616
Size (Inches): 14.75 x 9.25 x 3
Dry Weight (Lb): 9.75

Fittings: (2) AN-12 & (2) 1/2" FNPT
Oil Capacity (Qts): 1.60

Part Number: DB-30617
Description: 2-Pass
Size (Inches): 14.75 x 9.25 x 3
Dry Weight (Lb): 9.75

Fittings: (2) AN-12 & (1) 1/2" FNPT
Oil Capacity (Qts): 1.60



Stacked Engine Oil Coolers

Part Number: DB-30816-UNV
Description: Universal Stack EOC
Overall Size: 28 x 3.5 x 3.5 w/4 inch Channel
Core: 24 inch core

Fittings: AN-12
Oil Capacity (Qts): 1.26
Dry Weight (Lb): 12

Part Number: DB-30816-26
Description: Universal Stack EOC
Overall Size: 31 x 3.5 x 3.5 w/4 inch Channel
Core: 26 inch core

Fittings: AN-12
Oil Capacity (Qts): 1.26
Dry Weight (Lb): 12



Airbox 650

Part Number: DB-30618
Size (Inches): 21 x 5.875 x 3
Dry Weight (Lb): 12

Fittings: (2) AN-12 & (1) AN-6 & (1) 3/8" FNPT
Oil Capacity (Qts): 1.21



50mm Plate-Fin Coolers

Suitable for use as engine oil, transmission, or rear end coolers

Part Number	Description	Size (Inches)	Oil Capacity (quarts)	Dry Weight (lbs)	Fittings
DB-30110	Plate-Fin Engine Oil Cooler Trans or Rear End	11 x 4 x 2	.25	2	AN-8
DB-30115	Plate-Fin Engine Oil Cooler Trans or Rear End	11 x 6 x 2	.38	3	AN-8
DB-30120	Plate-Fin Engine Oil Cooler Trans or Rear End	11 x 8 x 2	.51	4	AN-10
DB-30130	Plate-Fin Engine Oil Cooler Trans or Rear End	11 x 12 x 2	.77	6	AN-10

Note: Oil Cooler dimensions do not include 1.5" brackets



20mm Multiflow Cooler

Designed for use as auxiliary automatic transmission cooler

Part Number	Description	Size (Inches)	Oil Capacity (quarts)	Dry Weight (lbs)	Fittings
FHP-10026	6-Pass Transmission Oil Cooler	14 x 6.5 x 1	.25	3.3	11/32 Push On
FHP-10029	9-Pass Transmission Oil Cooler	18 x 8.75 x 1	.45	4.5	11/32 Push On



Valve Spring Cooler

Designed in conjunction with top Racing engine builders. Some additional machine work and fabrication required

Part Number	Description	Size (Inches)	Oil Capacity (quarts)	Dry Weight (lbs)	Fittings
DB-30014*	Valve Spring Cooler	11.5 x 6 x .75	.11	1	AN-6

** Preferred choice of top engine builders*